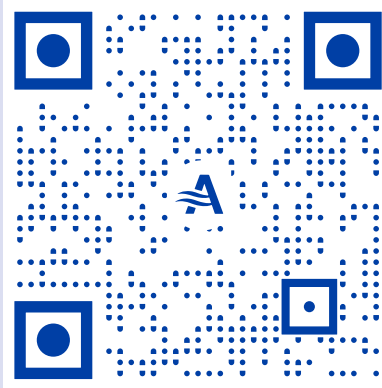


#8 x 3/4" min.
Flanged Hex Head Screw

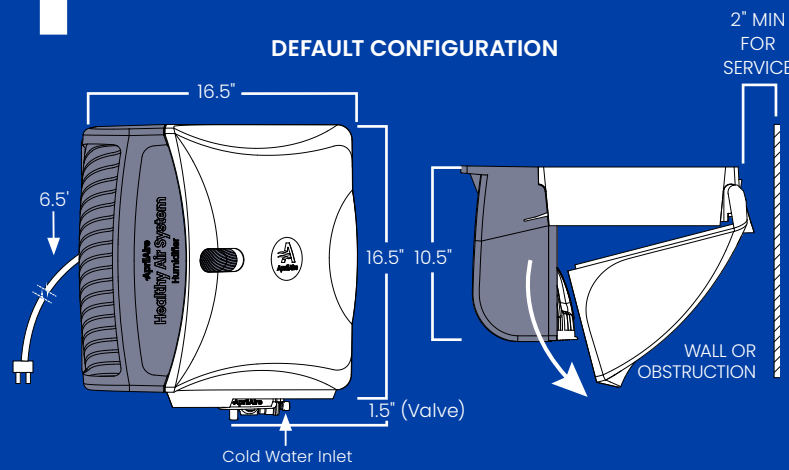


SCAN TO
LEARN
MORE

AprilAire

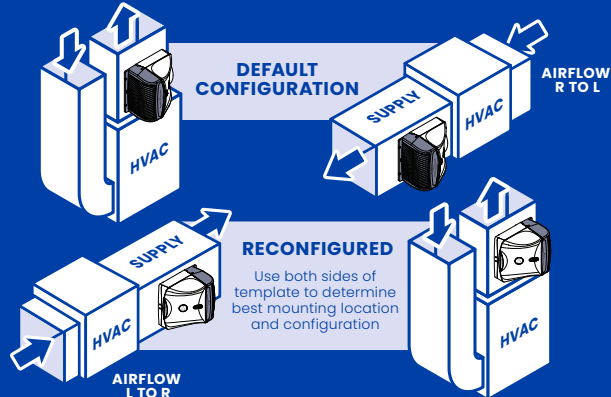
SERIES 720
Fan-Powered Evaporative Humidifier

1 DETERMINE LOCATION AND CONFIGURATION



Reconfigure if nearby obstructions interfere with cover removal/service or if air flows from left to right (horizontal applications).

SUPPLY (RECOMMENDED)



This humidifier can be installed on either the supply or return plenum. **Supply is recommended** for peak performance. Capacity rating is significantly reduced on the return plenum. **Humidifier dimensions and accessibility** must be considered when selecting location.

Note: Do not install on systems with static pressure greater than 0.8" w.c.

WARNING / AVERTISSEMENT

ATTENTION INSTALLER: Improper installation or maintenance may cause property damage or injury. Disconnect electrical power and water before starting installation or service.

ELECTRIC SHOCK HAZARD: 120 volts may cause serious injury from electric shock.

RISK OF SCALDING: Water temperature over 125°F can cause severe burns and scald instantly.

ATTENTION INSTALLATEUR: Une installation ou un entretien inadéquat(e) peut entraîner des dommages matériels ou corporels. Débranchez l'alimentation électrique et coupez l'eau avant de procéder à l'intervention.

RISQUE DE CHOC ÉLECTRIQUE: Une tension de 120 volts peut provoquer des blessures graves par électrocution.

RISQUE DE BRULURES: Une température d'eau supérieure à 52°C (125°F) peut provoquer de graves brûlures et ébouillanter instantanément.

CAUTION / MISE EN GARDE

SUDDEN OPERATION MAY CAUSE PERSONAL INJURY OR PROPERTY DAMAGE Turn the humidifier control to OFF or lowest setting before servicing.

SHARP EDGES MAY CAUSE INJURY FROM CUTS. Gloves and safety glasses recommended.

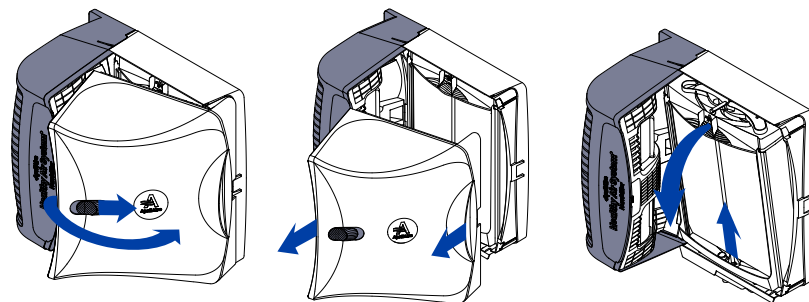
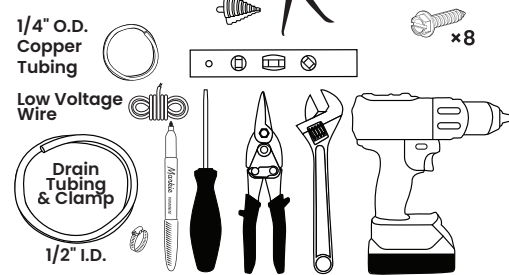
UNE MISE EN MARCHÉ SOUDAIN PEUT ENTRAÎNER DES BLESSURES OU DES DOMMAGES MATÉRIELS. Mettez la commande de l'humidificateur sur OFF ou sur le réglage le plus bas avant toute intervention.

LES BORDS ACERES PEUVENT CAUSER DES COUPURES GRAVES. Portez toujours des lunettes ou des lunettes de sécurité et des gants durant l'installation de l'unité.

2 VERIFY CONTENTS AND PREPARE UNIT FOR INSTALLATION

- What's in the box?**
- Model 720 Humidifier
 - Humidifier Control
 - Model L HydroCore™
 - Installation Template
 - 24 VAC 10 VA Transformer
 - Saddle Valve
 - Installation Kit (720AKZ, 720MKZ only)

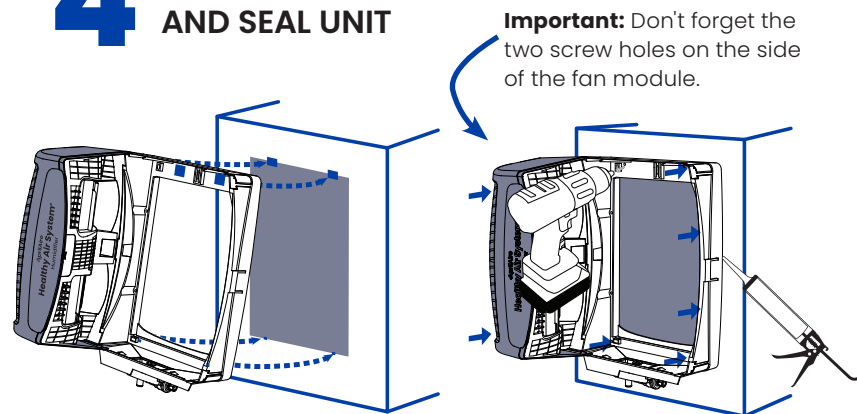
TOOLS NEEDED



- a. Slide latch to release cover and rotate away from fan.
b. Remove cover and set aside.
c. Tilt HydroCore forward. Remove then set aside.

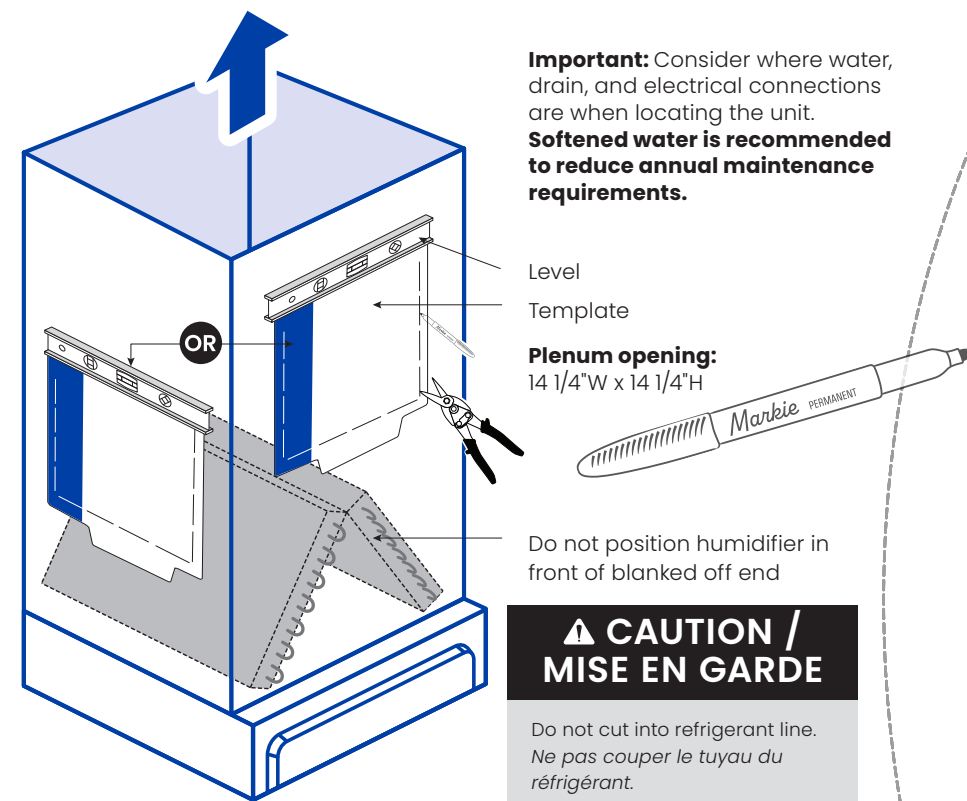
Note: Need to reconfigure the fan module for your application?
Flip this template over to continue.

4 MOUNT, SECURE, AND SEAL UNIT

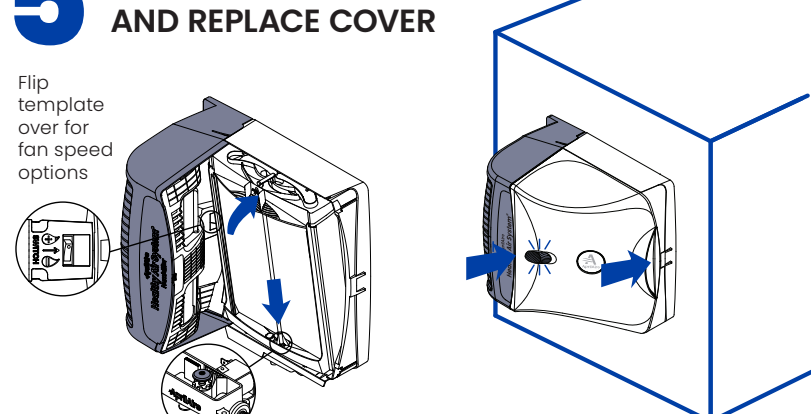


- a. Angle top of base toward the duct opening and engage hooks.
b. Hinge the humidifier toward the opening and slide down to engage bottom hooks.
c. Secure unit with eight (8) #8-3/4" flanged hex head screws.
d. Seal the edges with caulk to prevent air leaks.

3 DETERMINE LOCATION ON DUCT, THEN LEVEL, MARK, AND CUT



5 INSERT HYDROCORE AND REPLACE COVER



6 CONNECT WATER SUPPLY AND DRAIN LINE

- a. Install a 1/4" O.D. copper water supply line. Purge water line before connecting to valve inlet using included 1-piece compression fitting. See below for details.
b. Install 1/2" I.D. drain hose and secure with a hose clamp. Route to a floor drain or condensate pump. **Ensure constant downward slope.**

7 CONNECT ELECTRICAL WIRING

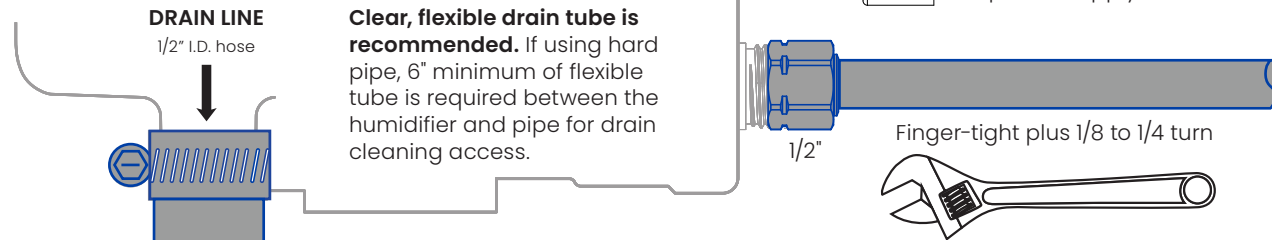
- a. **The solenoid valve requires a 24 VAC transformer with at least 10VA to operate.** Flip template over for wiring details.
b. Plug supplied power cord into 120 VAC outlet. Do not alter or hardwire the power cord.

WATER CONDITIONS

- Ensure connections are water tight and adhere to local codes.
- Pressure: 30-120 psi
- **Best Practice: Connect to soft water. Humidifier is effective with hot or cold. Installations on hard water will require more frequent maintenance. A scale-reducing inline water filter is recommended to lessen the effects of hard water.**
- Hot water recommended for return mounted installations.



Annual maintenance of your humidifier will prevent buildup of minerals left behind during evaporation. **Scan the QR code at the top of this template to learn more.**



NOTICE: Install a condensate pan with float switch or other active leak prevention device when installing in or over a finished space.

Push-to-connect adapter included with some models for use with code approved plastic supply line

CUT ALONG CENTER OF MARKS

HAND ACCESS

Keep 2" of clearance from obstructions to access handle.

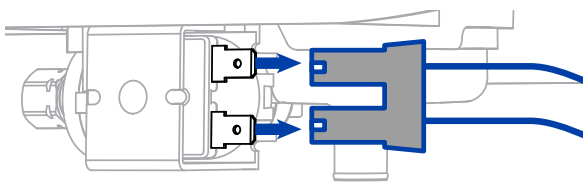
#8 x 3/4" min.
Flanged Hex Head Screw

FAN RECONFIGURATION

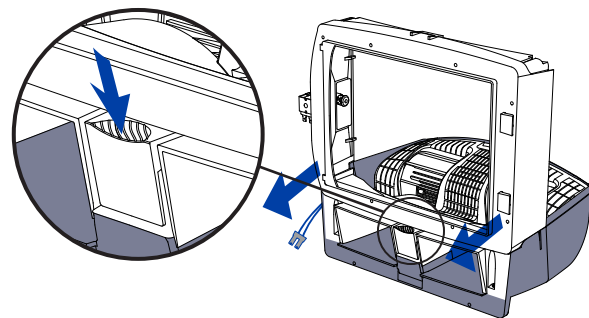
Note: Applicable for left to right horizontal airflow systems and improved accessibility in vertical applications.
Turn template over and see step 1 for details.

2 CONTINUED

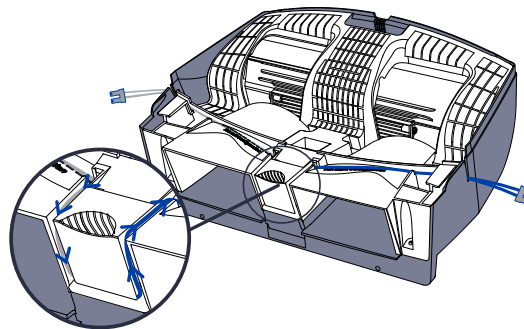
d. Disconnect wire leads on solenoid valve



e. Detach base from fan module by activating the lever while sliding base away

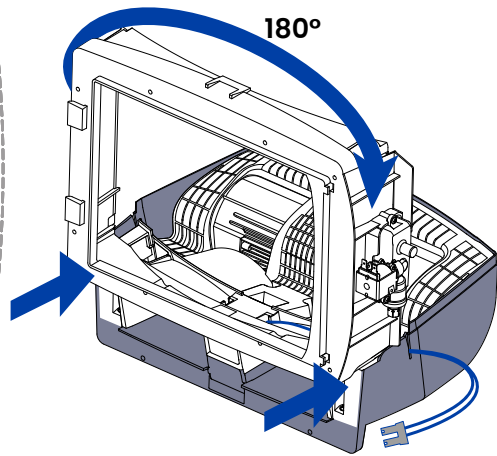


f. Re-route wires to the other side of the fan module and press into groove

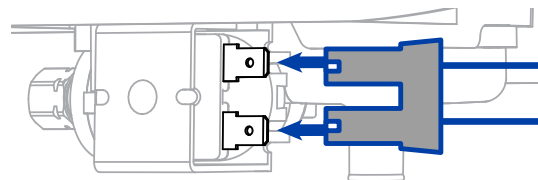


Note: Ensure wires are fully seated in groove to prevent wire pinching.

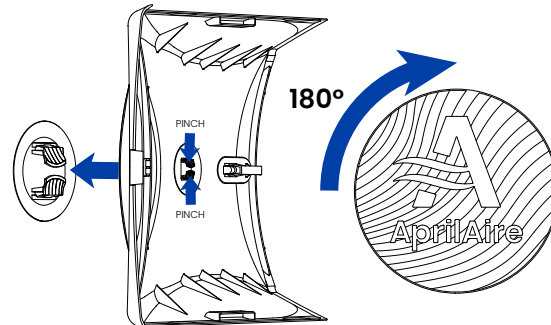
g. Rotate base 180° and slide back onto fan module



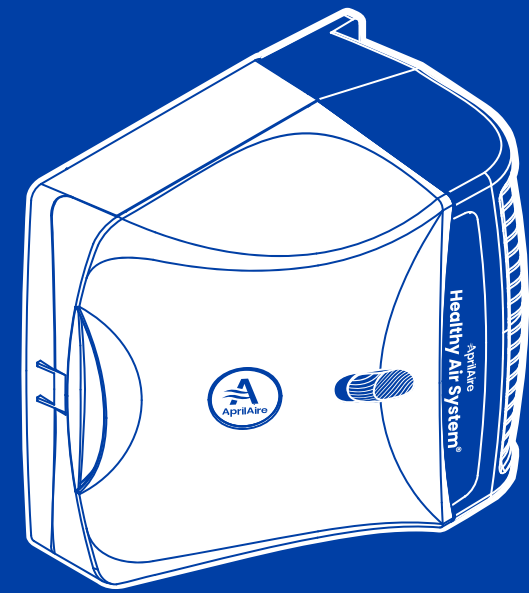
h. Reconnect wire leads to valve



i. Remove badge by pressing textured tabs to release. Rotate 180° and reattach to cover



Flip this template over and continue at **STEP 3** on the front.

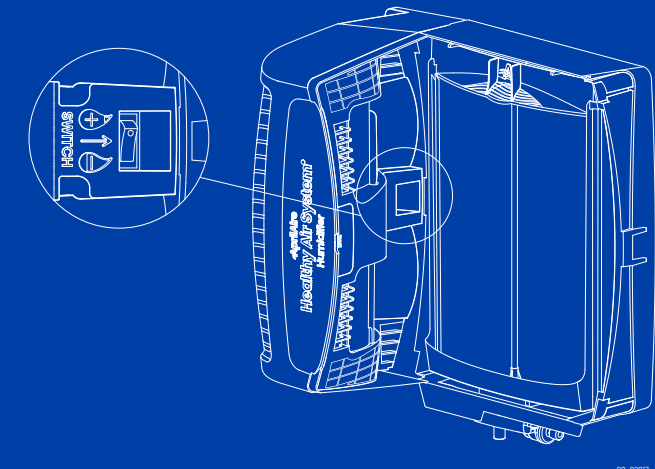


HUMIDIFIER FAN SPEED SWITCH

HIGH (+): Maximum capacity (default)

LOW (-): Quietest operation (approx. 10% capacity reduction)

Installations requiring reduced sound levels can utilize a low fan speed by adjusting the switch from high to low.



INSTALLATION AND TEST CHECKLIST

- ALL PLUMBING CONNECTIONS ARE WATERTIGHT.
- HUMIDIFIER IS PLUGGED INTO 120 VAC OUTLET.
- SOLENOID VALVE IS CONNECTED TO 24 VAC.
- HUMIDIFIER FUNCTIONS PROPERLY: FAN TURNS ON, SOLENOID VALVE OPENS, WATER FLOWS DOWN DRAIN (APPROX. 5 MINS).



For questions, contact Aprilaire Technical Support

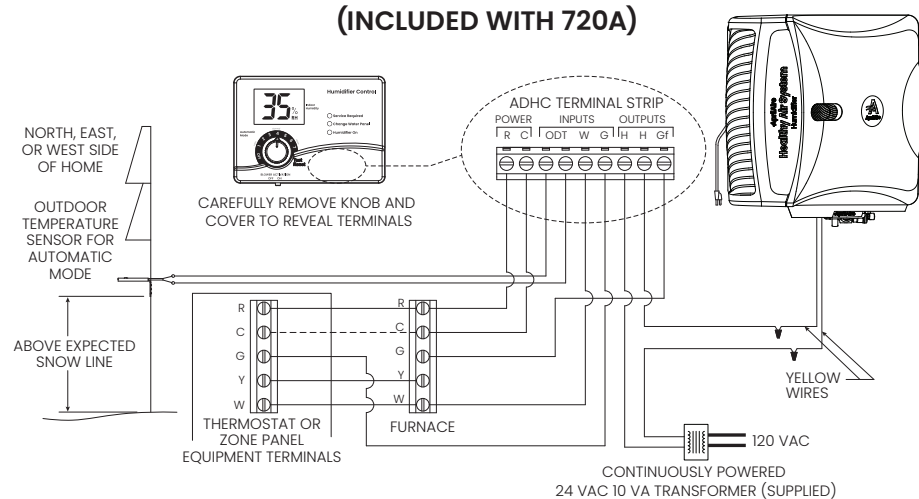
800.334.6011 or aprilair.com

10020113A • 07.24
© 2024 Aprilaire | aprilair.com | 800.334.6011
Aprilaire reserves the right to change specifications without notice.

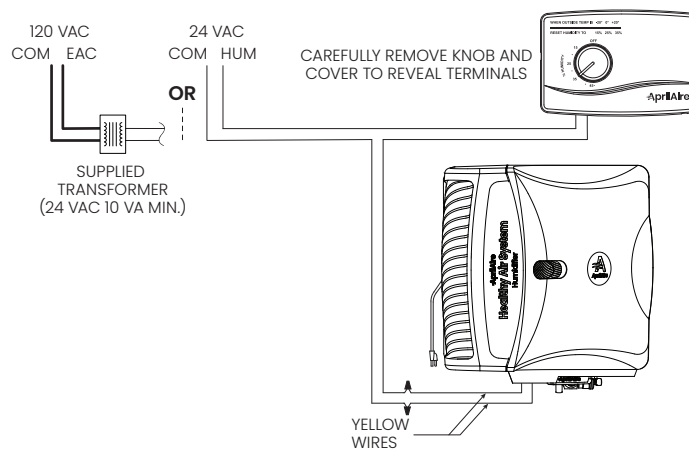
UNIT WIRING

Note: Refer to the included control installation instructions for full mounting and setup instructions.
Solenoid requires 24 VAC to operate. Refer to furnace manufacturer's guidelines if using accessory terminals.

MODEL 60 AUTOMATIC DIGITAL HUMIDIFIER CONTROL (INCLUDED WITH 720A)

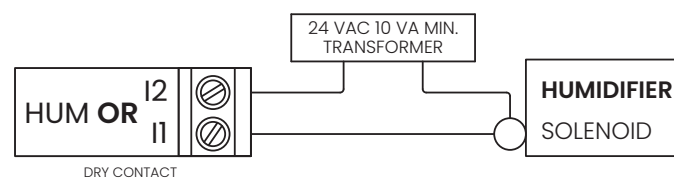


MODEL 4655 MANUAL HUMIDIFIER CONTROL (INCLUDED WITH 720M)



APRILAIRE IAQ THERMOSTAT (NOT INCLUDED)

Note: Refer to the thermostat installation instructions for model-specific wiring and setup directions.



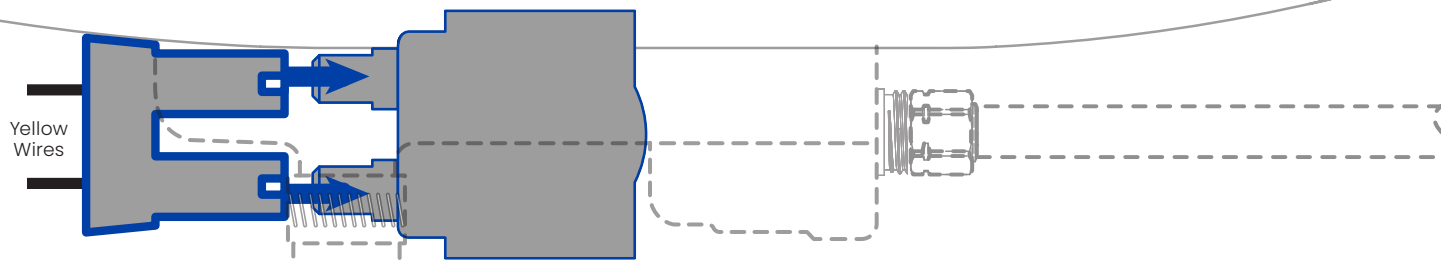
Scan for Additional Wiring Options



REMEMBER: Plug power cord (located on fan module) into 120 VAC outlet.

SOLENOID WIRE: Unit requires 24 VAC 10 VA min. to operate (not a dry contact).

Note: Solenoid valve connection is behind valve cup.



CUT ALONG
CENTER OF MARKS

HAND ACCESS

Keep 2" of clearance from obstructions to access handle.

Aprilaire

FAN RIGHT

INSTALLATION TEMPLATE