

High Trim — Fin Tube Baseboard  
**Weil-McLain**

**High Trim**

- ▶ **STYLISH NEW DESIGN**
- ▶ **DELIVERS MAXIMUM COMFORT**
- ▶ **CAN BE PAINTED TO MATCH ANY DÉCOR**
- ▶ **EASY TO CLEAN**



**WEIL-McLAIN**

[www.weil-mclain.com](http://www.weil-mclain.com)

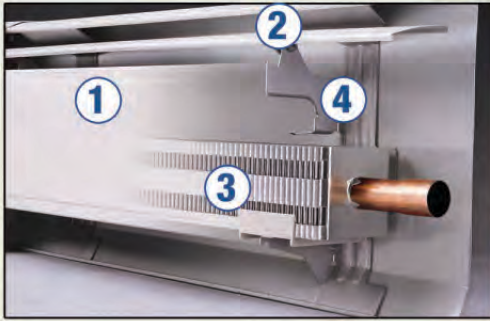




# High Trim Design Features

Weil-McLain High Trim Baseboard, designed with high output heating elements incorporated into a compact enclosure, is ideal for environments where heat loss is high or wall space is limited.

The neutral colored enclosure has a baked-on enamel finish that resists scuffs, dents and scratches and can be painted or stained to match woodwork, walls, or existing décor for a custom-designed appearance.



## (1) Front & Back Panels

The front and back panels, manufactured with unmatched precision, have gently sloping folds that increase rigidity and add additional support to resist bending and damage that may occur with kids, pets and life's everyday challenges.

## (2) Damper

The sturdy damper control allows for fast and easy "one finger touch" temperature control so that every room is comfortable.

## (3) Element

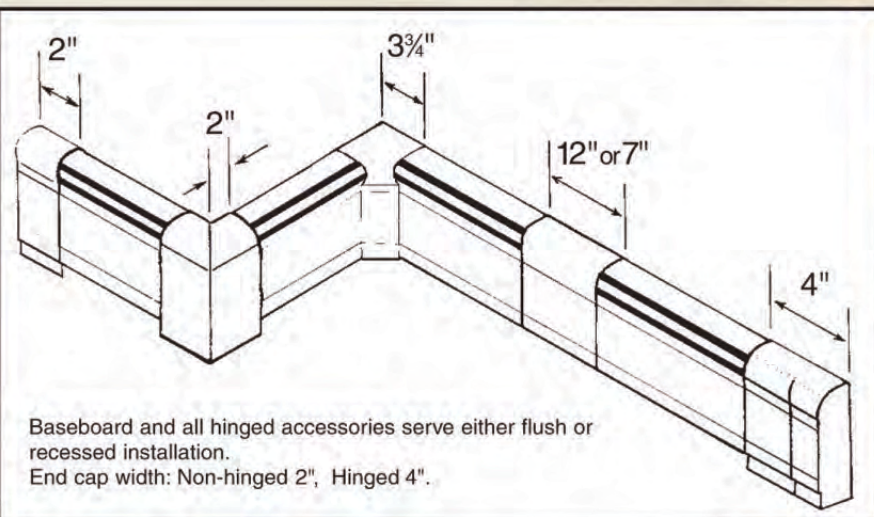
The elements are manufactured with more fins per linear foot and a larger fin size to ensure higher outputs with less energy consumption. And the durable, full-collared corrugated aluminum material will provide years of worry-free operation.

## (4) Element Brackets

The factory-installed back panel brackets have an integrated return tube hanger that significantly reduces installation time and ensures a well-fitting, attractive baseboard.

# High Trim Accessories

All High Trim accessories match the clean lines of the enclosure. Accessories may be installed either before or after the enclosure is mounted and piping completed. End caps are available plain or hinged to permit easy access to vents and valves. The 7" & 12" filler sleeves may be used in place of the end cap to fill out a wall. One-piece corner accessories – outside, inside, and bay – make installation easier and enhance the appearance of the finished installation. The one-piece splice plate covers joints and permits independent operation of dampers.



**FILLER SLEEVE**



**INSIDE CORNER**



**OUTSIDE CORNER**



**HINGED END CAP**



**NON-HINGED END CAP**



**2" SPLICE PLATE**



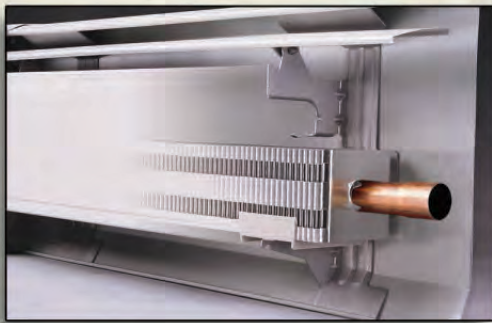
**NON-HINGED WALL TRIM**



# High Trim Design Advantages

## Front and Back Panels

- Durable 18 gauge steel for maximum strength
- Snap-on design for easy installation and simple removal for cleaning
- Available in lengths from 2 to 8 feet
- Broad range of finishing accessories that reduce on-the-job cutting and offer a professional, clean appearance

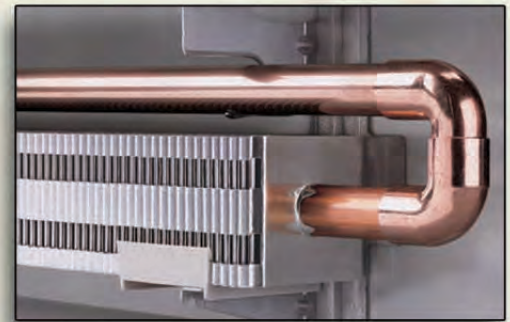


## Damper

- Unique pivot design for easy “one finger touch” operation
- Multi-position capabilities to provide maximum comfort in every room
- Easily detachable from the element brackets for cleaning
- Color-coordinated for an attractive, clean line appearance

## Element

- Includes  $\frac{3}{4}$ ” copper tube for maximum heat transfer
- Element tubes are flared at one end, eliminating the need for couplings when joining two lengths
- Fully collared corrugated aluminum fins are permanently bonded for safe, easy handling



## Element Brackets

- Plastic glides provide a snug fit and reduced expansion noises
- Return tube hanger built into the top arm for precise placement



# High Trim Specifications



## Ratings

Water Flow Rate in GPM	Single Element High Trim - Model HT 3/4" - Average Water Temperature (°F)											
	110°F	120°F	130°F	140°F	150°F	160°F	170°F	180°F	190°F	200°F	210°F	220°F
1	195*	260*	330*	400*	480	560	640	720	800	880	960	1040
4	210*	280*	350*	430*	510	590	680	760	850	930	1020	1100

\*Ratings at 140°F and lower temperatures determined by multiplying 150°F rating by the applicable factor specified in Table E in the I=B=R Testing and Rating Standard for Baseboard radiation.

### Low Temperature Heating:

- Using low water temperatures improves operation efficiency.
- It may also improve comfort in over-sized systems.

Take advantage of these benefits by matching with a Weil-McLain high efficiency condensing boiler.

## Baseboard

Unit Length Ft.	Baseboard Enclosure with 3/4" Element		Baseboard Enclosure without Heating Element		3/4" Heating Element	
	Part Number	Apprx. Shipping Weight (Lbs)	Part Number	Apprx. Shipping Weight (Lbs)	Part Number	Apprx. Shipping Weight (Lbs)
2	612-111-005	5	612-311-080	4	612-211-040	1
3	612-111-010	8	612-311-085	6	612-211-045	2
4	612-111-015	10	612-311-090	8	612-211-050	2
5*	612-111-020	12	612-311-095	10	612-211-055	3
6*	612-111-025	14	612-311-100	12	612-211-060	3
7*	612-111-030	17	612-311-105	14	612-211-065	4
8*	612-111-035	19	612-311-110	15	612-211-070	4

\*Splice kit included with 5 feet and larger enclosures.

### High Trim Model HT Water Ratings

Capacities in BTU/Hr. per Linear Foot with 65°F Entering Air

### Notes:

Pressure drop is 0.047" of water per lineal foot at a 1 GPM flow rate, and 0.525" at a 4 GPM flow rate. Flow rates exceeding 6 GPM may result in system noise.

## Accessories

Part Number	Description	Qty. Per Carton
612-411-150	HT 4" Left Hand End Cap with Hinge	(2)
612-411-155	HT 4" Right Hand End Cap with Hinge	(2)
612-411-160	HT 2" Left Hand End Cap Non-Hinge	(2)
612-411-165	HT 2" Right Hand End Cap Non-Hinge	(2)
612-411-170	HT 90° Inside Corner	(2)
612-411-175	HT 90° Outside Corner	(6)
612-411-186	HT 2" Splice Plate	(1)
612-411-185	HT 135° Inside Bay Corner	(2)
612-411-187	HT 135° Outside Bay Corner	(6)
612-411-190	HT 7" Filler Sleeve	(1)
612-411-195	HT 12" Filler Sleeve	(1)
612-411-215	HT Damper Pivot Only	(1)
612-411-220	HT Plastic Expansion Cradle	(1)
612-411-225	HT Support Bracket with Pivot	(1)
611-410-801	Floor Grommet	(10)
611-410-630	Flex Riser Connector without Coupling	(1)
611-410-640	Flex Riser Connector with Coupling	(1)
611-410-803	Flex Corner Connector	(1)
611-420-670	Flex Riser Connector (1")	(1)
592-000-002	Nu-White Touch-Up Spray Paint	(1)

## Dimensions

