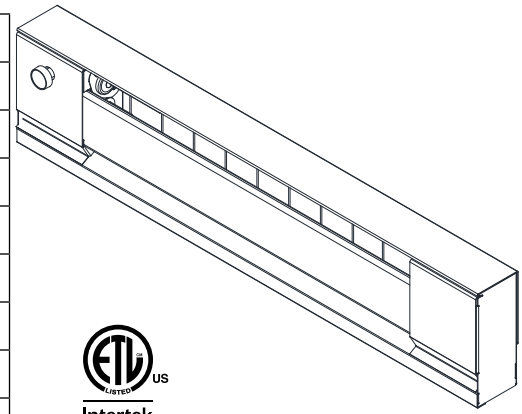




MADE IN THE U.S.A.

2900C SERIES ELECTRIC BASEBOARD HEATER

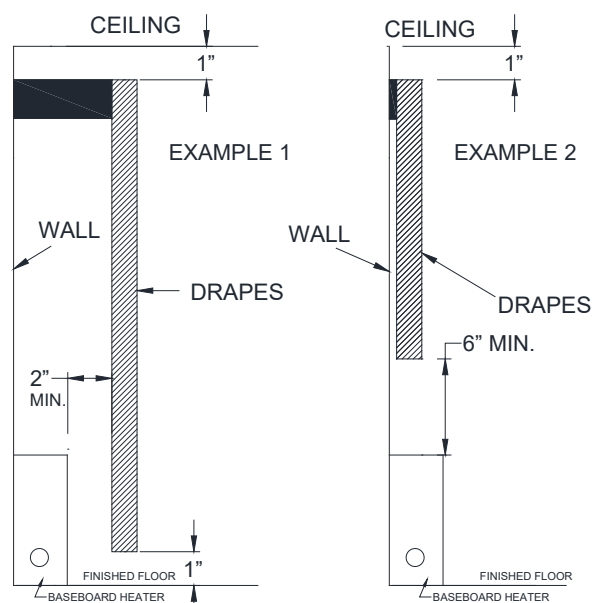
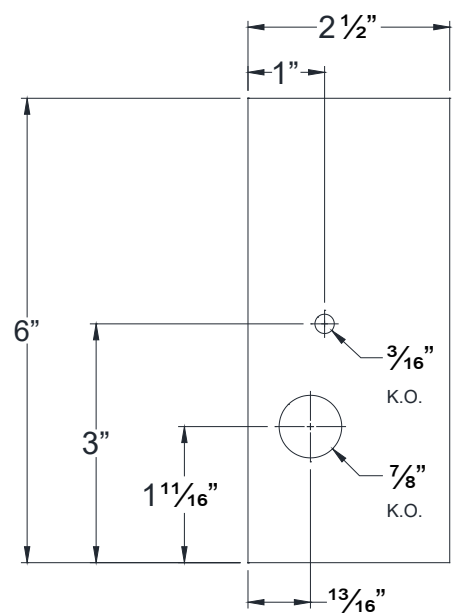
CUSTOMER		DATE:	
PROJECT			
LOCATION			
ARCHITECT			
ENGINEER			
CONTRACTOR			
SUBMITTED BY			
APPROVED BY			
APPROVED BY			



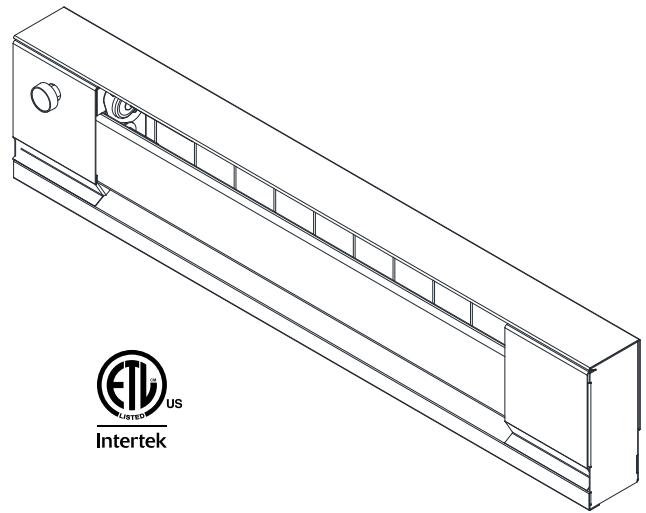
SUBMITTAL DATA SHEET

QTY	MODEL	TAG	WATTAGE	VOLTS	PHASE	AMPS	FINISH	ACCESSORIES	THERMOSTAT	OPTIONS

NOTES/SPECIAL INSTRUCTIONS:



- Bankers Bronze with stainless steel heating element and aluminum fins
- Powder coated 22 gauge steel front with 20 gauge junction boxes located on each end of the heater - junction boxes contain quick connect cable clamps and 6" ground lead wires
- Over-temperature thermal limit extends entire length of heated area
- A full length wireway provided along the back of the heater - enclosed conduit available
- Heater can be mounted to the wall by using the key hole knockouts every 4" at the back of the heater
- Optional in-built thermostats field installed in the junction box
- Standard inlet and outlet wire guards
- Height: 6" Depth: 2 1/2"



Accessories

FIELD INSTALLED ACCESSORIES				
DESCRIPTION	IVORY	WHITE	BANKERS BRONZE	WT. (LBS)
	MFG MODEL NUMBER	MFG MODEL NUMBER	MFG MODEL NUMBER	
Disconnect Switch, 20 Amp, 120-277V	DS	DSW	DSB	1
Corner Sections	CS	CSW	CSB	
1" Joiner Kits	JK	JKW	JKB	1/4
6" Blank Relay Section (Relay Not Included)**	LVRS	LVRSW	LVRSB	1 1/2
Receptacle Section (Baseboard Mounted) 15 Amp 120 VAC	BDR115	BDR115W	BDR115B	1/4
Receptacle Section (Mounted in 6" Blank) 15 Amp 120 VAC	DR115	DR115W	DR115B	
Transfer Switch (Mounted in 6" Blank) 16 Amp 120 VAC	SR120	SR120W	SR120B	2
Transfer Switch (Mounted in 6" Blank) 16 Amp 240 VAC	SR220	SR220W	SR220B	

**Not for use with 24A06-G relay

BLANK SECTIONS				
LENGTH	IVORY	WHITE	BANKERS BRONZE	WT. (LBS)
	MFG MODEL NUMBER	MFG MODEL NUMBER	MFG MODEL NUMBER	
24"	BBS024A	BBS024AW	BBS024C	5
28"	BBS028A	BBS028AW	BBS028C	5 1/2
36"	BBS036A	BBS036AW	BBS036C	6
40"	BBS040A	BBS040AW	BBS040C	7
48"	BBS048A	BBS048AW	BBS048C	8
60"	BBS060A	BBS060AW	BBS060C	10
72"	BBS072A	BBS072AW	BBS072C	12
84"	BBS084A	BBS084AW	BBS084C	15
96"	BBS096A	BBS096AW	BBS096C	17
120"	BBS120A	BBS120AW	BBS120C	20

OPTIONAL WIREWAY COVERS			
MFG MODEL NUMBER	LENGTH (in.)	COVER LENGTH (in.)	WT. (LBS)
WWA01	24"	20	1
WWA02	28"	24	1.5
WWA03	36"	32	2
WWA04	40"	36	2.5
WWA05	48"	44	3
WWA06	60"	56	4
WWA07	72"	68	5
WWA08	84"	80	6
WWA09	96"	92	7
WWA00	120"	116	8

IN-BUILT THERMOSTAT KITS		
MFG MODEL NUMBER	DESCRIPTION	WT. (LBS)
TBS	SPST-In-Built 22A @ 120-240V 18A @ 277V (0°-110F°)	1/2
TBD	DPST-In-Built 22A @ 120-240V 18A @ 277V (0°-110F°)	1/2

Standard Models

MFG MODEL NUMBER	WATTS	BTUs	VOLTS	AMPS	HEATER LENGTH (IN)	WT. (LBS)
E2903-024C	375	1275	120	3.1	24	5
F2903-024C	375	1275	208	1.8		
H2903-024C	375 / 281	1275 / 955	240 / 208	1.6 / 1.4		
G2903-024C	375 / 281	1275 / 955	277 / 240	1.6 / 1.2		
E2905-028C	500	1706	120	4.2	28	6
F2905-028C	500	1706	208	2.4		
H2905-028C	500 / 375	1706 / 1275	240 / 208	2.1 / 1.8		
G2905-028C	500 / 375	1706 / 1275	277 / 240	1.8 / 1.6		
E2906-036C	600	2040	120	5.0	36	7
F2906-036C	600	2040	208	2.9		
H2906-036C	600 / 450	2040 / 1530	240 / 208	2.5 / 2.2		
G2906-036C	600 / 450	2040 / 1530	277 / 240	2.2 / 1.9		
E2907-040C	750	2550	120	6.3	40	8
F2907-040C	750	2550	208	3.6		
H2907-040C	750 / 563	2550 / 1914	240 / 208	3.1 / 2.7		
G2907-040C	750 / 563	2550 / 1914	277 / 240	2.7 / 2.6		
E2910-048C	1000	3413	120	8.3	48	10
F2910-048C	1000	3413	208	4.8		
H2910-048C	1000 / 750	3413 / 2550	240 / 208	4.2 / 3.6		
G2910-048C	1000 / 750	3413 / 2550	277 / 240	3.6 / 3.1		
G2907-048C	750	2550	277	3.4	60	12
E2912-060C	1250	4250	120	10.4		
F2912-060C	1250	4250	208	6.0		
H2912-060C	1250 / 938	4250 / 3189	240 / 208	5.2 / 4.5		
G2912-060C	1250 / 938	4250 / 3189	277 / 240	4.5 / 3.9	72	14
G2909-060C	938	3189	277	3.4		
E2915-072C	1500	5100	120	12.5		
F2915-072C	1500	5100	208	7.2		
H2915-072C	1500 / 1125	5100 / 3825	240 / 208	6.3 / 4.7	84	16
G2915-072C	1500 / 1125	5100 / 3825	277 / 240	5.4 / 4.7		
G2911-072C	1125	3825	277	4.1		
F2917-084C	1750	5950	208	8.4		
H2917-084C	1750 / 1313	5950 / 4464	240 / 208	7.3 / 6.3	96	18
G2917-084C	1750 / 1313	5950 / 4464	277 / 240	6.3 / 5.5		
G2913-084C	1313	4464	277	4.7		
F2920-096C	2000	6826	208	9.6		
H2920-096C	2000 / 1500	6826 / 5100	240 / 208	8.3 / 7.2	120	22
G2920-096C	2000 / 1500	6826 / 5100	277 / 240	7.2 / 6.3		
G2915-096C	1500	5100	277	5.4		
F2925-120C	2500	8532	208	12.0		
H2925-120C	2500 / 1875	8532 / 6375	240 / 208	10.4 / 9.0	120	22
G2925-120C	2500 / 1875	8532 / 6375	277 / 240	9.0 / 7.8		
G2918-120C	1875	6375	277	6.8		