



# Model 475STR

## Reduced Pressure Principle Assembly

### Application

Designed for drop in replacement of Zurn Wilkins Model 475 and new installation on potable water lines to protect against both backsiphonage and backpressure of contaminated water into the potable water supply. Assembly shall provide protection where a potential health hazard exists. The Model 475STR is for applications requiring vertical flow up and vertical flow down. The configuration 475STRV is for applications requiring vertical flow up. Ideal for use where lead-free valves are required.

### Standards Compliance

- Approved by the Foundation for Cross Connection Control and Hydraulic Research at the University of Southern California
- ASSE® Listed 1013
- AWWA Compliant C511 (with gates only), and C550
- CSA® Certified B64.4
- UL® Classified
- C-UL® Classified
- FM® Approved
- Meets the requirements of NSF/ANSI 61\*
- \*(0.25% MAX. WEIGHTED AVERAGE LEAD CONTENT)

### Materials

Main Valve Body	304L Stainless steel
Access covers	304L Stainless steel
Coatings	FDA Approved electrostatic epoxy finish
Internals	Stainless steel, 300 Series NORYL™, NSF Listed
Fasteners & Springs	Stainless Steel, 300 Series
Seal rings	EPDM (FDA approved)
O-rings	Buna Nitrile (FDA approved)
Sensing line	Stainless Steel, braided hose

### Features

Sizes:	4", 6", 8", 10"
Maximum working water pressure	175 psi
Minimum working water pressure	25 psi
Maximum working water temperature	140° F
Minimum working water temperature	33° F
Hydrostatic test pressure	350 psi
End connections (Grooved for steel pipe)	AWWA C606-DGL-87
(Flanged bolt pattern)	ASME B16.42 Class 150

### Dimensions & Weights (do not include pkg.)

SIZE	WEIGHT											
	WITH NRS GATE (GXF)		WITH NRS GATE (GXG)		WITH OS&Y GATES (GXF)		WITH OS&Y GATES (GXG)		WITH BFLY VALVES (GXF)		WITH BFLY VALVES (GXG)	
	lbs.	kg	lbs.	kg	lbs.	kg	lbs.	kg	lbs.	kg	lbs.	kg
4"	185	84	165	75	211	95	191	86	158	72	135	61
6"	306	139	282	128	338	153	314	143	224	102	193	88
8"	566	257	528	239	612	278	574	260	442	200	396	180
10"	779	353	725	329	865	392	811	368	552	250	494	224

SIZE	DIMENSION (approximate)																				
	A		B WITH GATE VALVES		B WITH BUTTERFLY VALVES		C OS&Y OPEN		C OS&Y CLOSED		C NRS GATES		C WITH BUTTERFLY VALVES		D		E WITH BUTTERFLY VALVES				
	in.	mm	in.	mm	in.	mm	in.	mm	in.	mm	in.	mm	in.	mm	in.	mm	in.	mm			
4" 475ST	100	18 5/16	465	22 1/4	565	19 7/8	505	22 1/2	572	9	229	14 1/2	368	9	229	4 3/4	119	18 3/8	467	18 3/8	467
4" 475STV	150	18 5/16	481	29 7/8	760	25 1/8	638	22 1/2	572	9	229	14 1/2	368	9	229	4 3/4	119	22 1/4	565	19 7/8	505
6" 475ST	150	18 11/16	475	27 7/8	708	24 3/4	630	30 1/2	775	10 1/2	267	18	457	10 1/4	260	6 1/8	158	22 3/8	570	22 3/8	570
6" 475STV	150	18 11/16	533	36 1/4	922	29 1/8	740	30 1/2	775	10 1/2	267	18	457	10 1/4	260	6 1/8	158	27 7/8	708	24 3/4	630
8" 475ST	200	29	737	34 7/8	886	29 1/8	740	37	940	12	305	22	560	12	305	8 7/8	223	30 5/8	780	30 5/8	780
8" 475STV	200	29	770	40 1/4	1022	33 1/8	841	37	940	12	305	22	560	12	305	8 7/8	223	34 7/8	886	29 1/8	740
10" 475ST	250	29	737	38 3/4	984	35 3/4	910	45 5/8	1159	12	305	24 3/4	630	13	330	8 7/8	223	32 3/4	832	32 3/4	832
10" 475STV	250	29	770	45 7/8	1165	39 13/16	1011	45 5/8	1159	12	305	24 3/4	630	13	330	8 7/8	223	38 3/4	984	35 3/4	908



LEAD FREE



NSF/ANSI 61

### Options

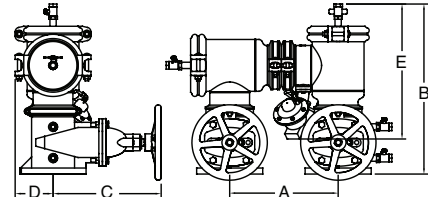
(Suffixes can be combined)

- with NRS shut-off valves (standard)
- G - with groove end gate valves
- FG - with flanged inlet gate connection and grooved outlet gate connection
- OSY - with OS&Y gate valves
- MS - with Integral Relief Valve Monitor Switch
- V - vertical flow up configuration
- BG - with grooved end butterfly valves with integral supervisory switches
- BF - with flanged end butterfly valves with integral supervisory switches
- PI - with Post Indicator Gate Valve
- RV - with relief valve and shut-off valves on reverse side

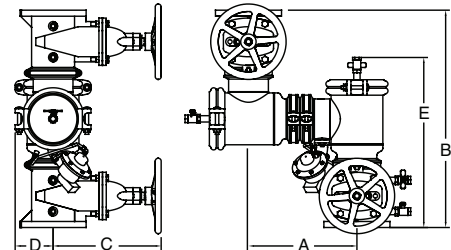
### Accessories

- Air gap (see spec sheet BF-AG)
- Repair kit (rubber only)
- Thermal expansion tank (Model XT)
- Valve setter (Model FLS or MJS or MJFS)
- Gate valve tamper switch (OSY-40)
- Electronic Solenoid Timer (Model EST)
- QT-SET Quick Test Fitting Set

### 475STR

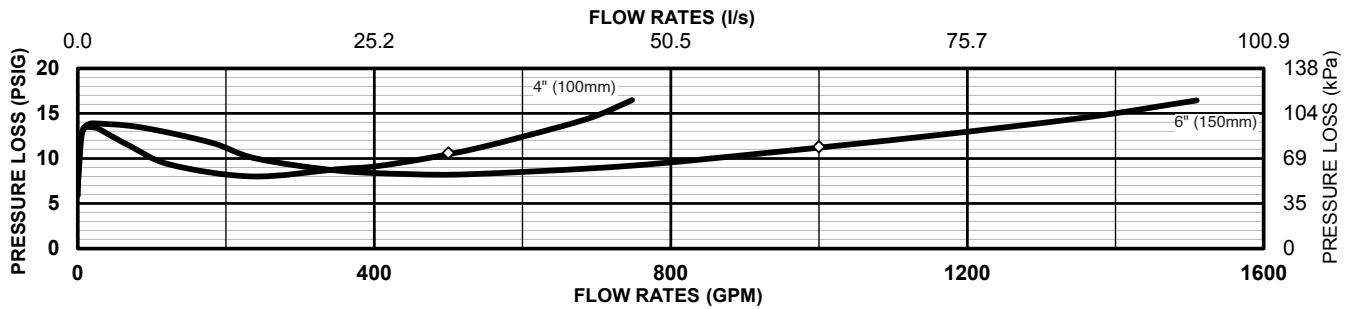


### 475STRV

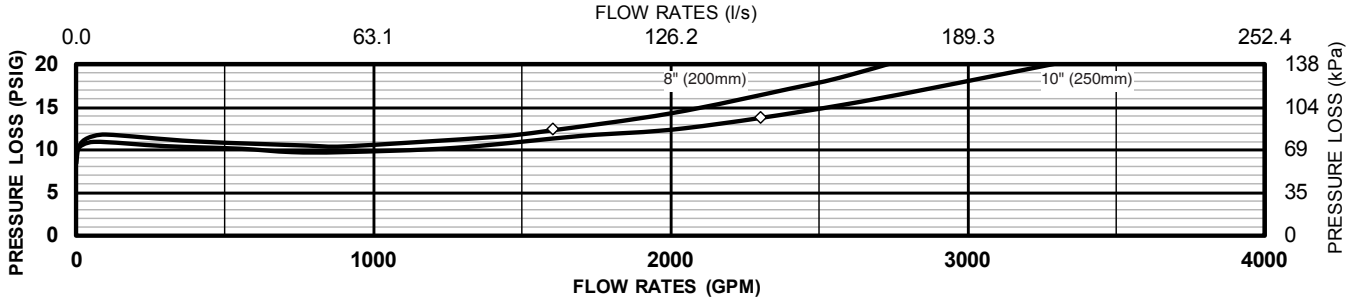


Relief Valve discharge port:  
2 1/2" - 6" - 2.75 sq. in.  
8" - 10" - 3.69 sq. in.

**475STR & 475STRV 4" & 6" (STANDARD & METRIC)**



**475STR & 475STRV 8" & 10" (STANDARD & METRIC)**

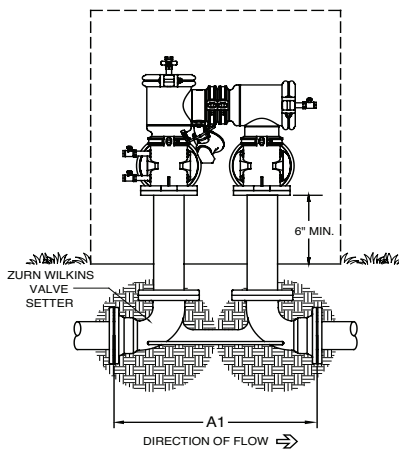


**Typical Installation**

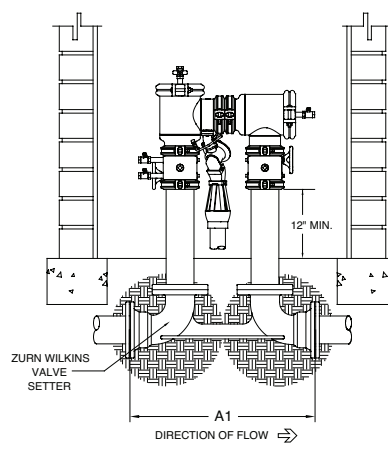
Local codes shall govern installation requirements. To be installed in accordance with the manufacturers' instructions and the latest edition of the Uniform Plumbing Code. Unless otherwise specified, the assembly shall be mounted above adequate drains with sufficient side clearance for testing and maintenance. The installation shall be made so that no part of the unit can be submerged.

Pipe size	Capacity thru Schedule 40 Pipe (GPM)			
	5 ft/sec	7.5 ft/sec	10 ft/sec	15 ft/sec
2 1/2"	75	112	149	224
3"	115	173	230	346
4"	198	298	397	595
6"	450	675	900	1351
8"	780	1169	1559	2339
10"	1229	1843	2458	3687
12"	1763	2644	3525	5288

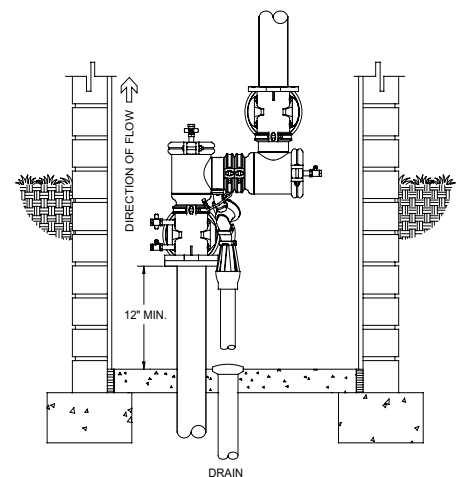
MODEL SIZE		DIMENSIONS (approx.)			
		A1 SETTER END TO END FLS		A1 SETTER END TO END MJS	
in.	mm	in.	mm	in.	mm
4	100	31 5/16	795	29.313	745
6	150	34 3/4	884	32.75	832
8	200	47	1194	44.625	1133
10	250	51	1295	47	1194



OUTDOOR INSTALLATION



INDOOR INSTALLATION



VERTICAL INSTALLATION

**Specifications**

The Reduced Pressure Principle Backflow Prevention Assembly shall be certified to NSF/ANSI 61, ASSE® Listed 1013, and supplied with full port gate valves. The main body, spool, and access cover shall be 304L Stainless Steel, the seat ring and check valve shall be NORYL™, the stem shall be stainless steel (ASTM A 276) and the seat disc elastomers shall be EPDM. The checks and the relief valve shall be accessible for maintenance without removing the device from the line. The Reduced Pressure Principle Backflow Prevention Assembly shall be a ZURN WILKINS Model 475STR